



Oildyne 550 Series Hydraulic Power Units

Pressures to 207 bar (3000 psi)
Flow to 14.4 lpm (3.8 gpm)

aerospace
climate control
electromechanical
filtration
fluid & gas handling
hydraulics
pneumatics
process control
sealing & shielding



ENGINEERING YOUR SUCCESS.

550 Series Hydraulic Power Units

The 550 Series combines the features and benefits our customers and markets have requested in a durable and economical package. The integral motor, pump and reservoir are complemented with a full line of Parker D03/NG6 and cartridge valve options. Add a linear or rotary actuator and you have a complete hydraulic system solution for your application.

These high quality power units are ideal for industrial machine tool clamping circuits, dock levelers, food processing, hose crimping, scissor lift, presses, and a myriad of AC applications. Let them go to work for you.

Your local Parker sales representative will be pleased to provide further information.

Typical Applications

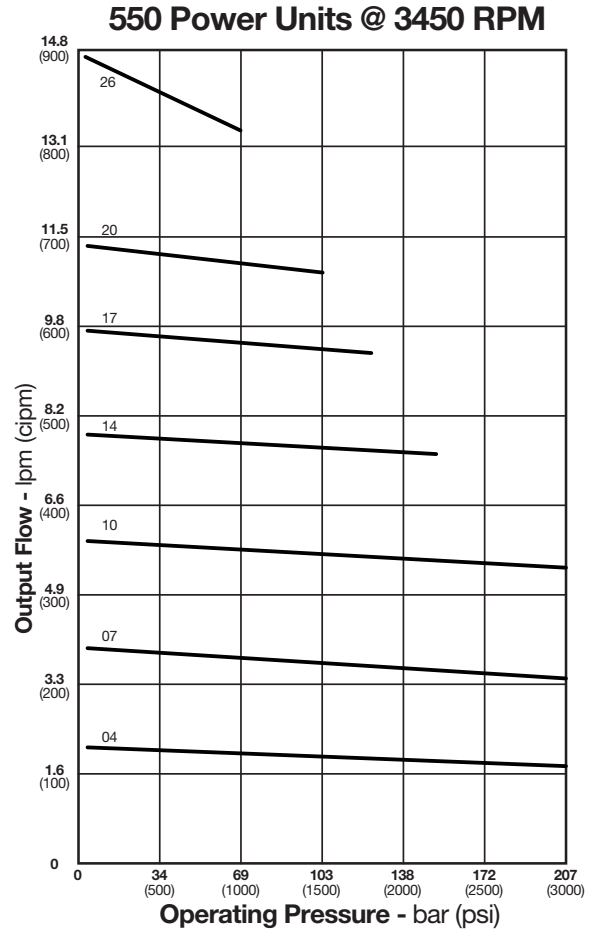
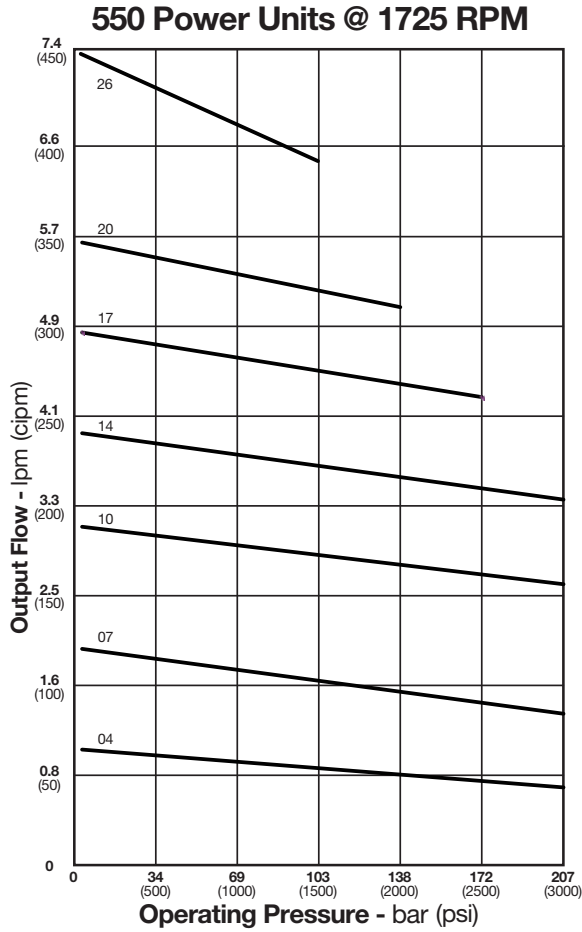
- Machine tool clamping
- Dock levelers
- Man lifts
- Scissors lifts
- Wheelchair lifts
- Trash compactors
- Hose crimpers
- Boat lifts
- Presses
- Commercial ovens



Features

- Numerous motors from .67 to 4 kW (.5 to 3 HP)
- 7 pump sizes – flows from 1 to 14.4 lpm (.25 to 3.8 gpm)
- Externally adjustable relief valve
- Variety of reservoirs
- 207 bar (3000 psi) capability
- D03/NG6 pad or standard P and T ports
- Vertical and horizontal mounting





Performance data based on ATF @ 21°C (70°F)

Motor Horsepower Recommendations at Flow/Pressure

Pump Size	Nominal GPM		Pressure Bar (PSI)					
	@1725	@3450	34 (500)	69 (1000)	103 (1500)	138 (2000)	172 (2500)	207 (3000)
04	¼		.50 HP	.50 HP	.50 HP	.50 HP	.50 HP	.75 HP
04		½	.50 HP	.50 HP	.50 HP	.75 HP	1.0 HP	1.5 HP
07	½		.50 HP	.50 HP	.50 HP	.75 HP	1.0 HP	1.0 HP
07		1	.50 HP	.75 HP	1.0 HP	1.5 HP	2.0 HP	2.0 HP
10	¾		.50 HP	.50 HP	.75 HP	1.0 HP	1.5 HP	1.5 HP
10		1 ½	.75 HP	1.0 HP	1.5 HP	2.0 HP	3.0 HP	3.0 HP
14	1		.50 HP	.75 HP	1.0 HP	1.5 HP	2.0 HP	2.0 HP
14		2	1.0 HP	1.5 HP	2.0 HP	3.0 HP		
17	1 ¼		.50 HP	1.0 HP	1.5 HP	2.0 HP	2.0 HP	
17		2 ½	1.0 HP	2.0 HP	3.0 HP			
20	1 ½		.50 HP	1.0 HP	1.5 HP	2.0 HP		
20		3	1.0 HP	2.0 HP	3.0 HP			
26	1.9		.75 HP	1.5 HP	2.0 HP			
26		3.8	1.5 HP	3.0 HP				

Note: Performance data is for reference only

Standard Product Ordering Code



550 POWER UNIT
 - includes relief valve

MOTOR SELECTION - TEFC
 Single Phase = 115/230 VAC, 60 HZ
 Three Phase = 230/460 VAC, 60 HZ

CODE	HP	RPM	PHASE
TC	.50	1725	Single
TD	.50	1725	Three
TM	.50	3450	Single
TT	.50	3450	Three
TE	.75	1725	Single
TF	.75	1725	Three
TN	.75	3450	Single
TU	.75	3450	Three
TJ	1.0	1725	Single
TK	1.0	1725	Three
TP	1.0	3450	Single
TW	1.0	3450	Three
TL	1.5	1725	Single
TO	1.5	1725	Three
TQ	1.5	3450	Single
TX	1.5	3450	Three
TV	2.0	1725	Single
TR	2.0	1725	Three
TS	2.0	3450	Single
TY	2.0	3450	Three
TH	3.0	3450	Three
NN	None:	Customer Supplied	

PUMP SIZE DISPLACEMENT

CODE	DISPLACEMENT
04	0.66 cc/rev (.04 in ³ /rev)
07	1.15 cc/rev (.07 in ³ /rev)
10	1.64 cc/rev (.10 in ³ /rev)
14	2.29 cc/rev (.14 in ³ /rev)
17	2.79 cc/rev (.17 in ³ /rev)
20	3.28 cc/rev (.20 in ³ /rev)
26	4.26 cc/rev (.26 in ³ /rev)

RESERVOIR VOLUME

CODE	VOLUME
05	2 Liter 0.5 Gallon Steel
10	4 Liter 1.0 Gallon Steel
15	6 Liter 1.5 Gallon Steel
50	19 Liter 5.0 Gallon Steel
06	2 Liter 0.5 Gallon Plastic
11	4 Liter 1.0 Gallon Plastic
16	6 Liter 1.5 Gallon Plastic
26	10 Liter 2.5 Gallon Plastic

Note: 19 liter (5 gallon) steel reservoir can be mounted vertically only. All others are vertical and horizontal ready

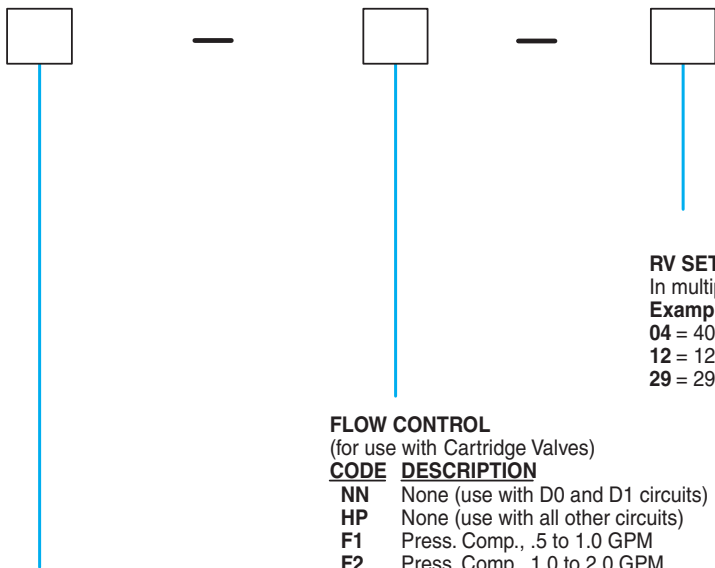
CIRCUIT DESCRIPTION

CODE	DESCRIPTION
D0	D03/NG6 Pad & Extension Fittings
D1	D03/NG6 Pad with Dual PO Check Manifold (Manapak) (for use with D03/NG6 Directional Control Valves)
SA	Standard Pressure & Tank Ports
SW	Std P & T Ports with Outlet Port Check Valve

Two Position Two Way Cartridge Valves
 Following circuits include outlet port check valve:

CODE	DESCRIPTION
S1	12 VDC, Normally Closed, Conduit Connector
S2	24 VDC, Normally Closed, Conduit Connector
S3	120 VAC, Normally Closed, Conduit Connector
S4	240 VAC, Normally Closed, Conduit Connector
S5	12 VDC, Normally Open, Conduit Connector
S6	24 VDC, Normally Open, Conduit Connector
S7	120 VAC, Normally Open, Conduit Connector
S8	240 VAC, Normally Open, Conduit Connector

P1	12 VDC, Normally Closed, DIN Connector
P2	24 VDC, Normally Closed, DIN Connector
P3	120 VAC, Normally Closed, DIN Connector
P4	240 VAC, Normally Closed, DIN Connector
P5	12 VDC, Normally Open, DIN Connector
P6	24 VDC, Normally Open, DIN Connector
P7	120 VAC, Normally Open, DIN Connector
P8	240 VAC, Normally Open, DIN Connector



RV SETTING
 In multiples of 100 psi
Examples
04 = 400 psi
12 = 1200 psi
29 = 2900 psi

FLOW CONTROL
 (for use with Cartridge Valves)
CODE DESCRIPTION
NN None (use with D0 and D1 circuits)
HP None (use with all other circuits)
F1 Press. Comp., .5 to 1.0 GPM
F2 Press. Comp., 1.0 to 2.0 GPM

4-WAY VALVE (ALL D03/NG6 SIZE)

CODE	DESCRIPTION
NNN	No 4-Way Valve Included
01Y	Closed Center, 120 VAC, Conduit Connectors
01T	Closed Center, 240 VAC, Conduit Connectors
01K	Closed Center, 12 VDC, Conduit Connectors
01J	Closed Center, 24 VDC, Conduit Connectors
02Y	Open Center, 120 VAC, Conduit Connectors
02T	Open Center, 240 VAC, Conduit Connectors
02K	Open Center, 12 VDC, Conduit Connectors
02J	Open Center, 24 VDC, Conduit Connectors
07Y	Float Center, 120 VAC, Conduit Connectors
07T	Float Center, 240 VAC, Conduit Connectors
07K	Float Center, 12 VDC, Conduit Connectors
07J	Float Center, 24 VDC, Conduit Connectors
08Y	Tandem Center, 120 VAC, Conduit Connectors
08T	Tandem Center, 240 VAC, Conduit Connectors
08K	Tandem Center, 12 VDC, Conduit Connectors
08J	Tandem Center, 24 VDC, Conduit Connectors
30Y	Single Solenoid, 120 VAC, Conduit Connector
30T	Single Solenoid, 240 VAC, Conduit Connector
30K	Single Solenoid, 12 VDC, Conduit Connector
30J	Single Solenoid, 24 VDC, Conduit Connector
Y01	Closed Center, 120 VAC, Hirschmann w/out Plugs
T01	Closed Center, 240 VAC, Hirschmann w/out Plugs
K01	Closed Center, 12 VDC, Hirschmann w/out Plugs
J01	Closed Center, 24 VDC, Hirschmann w/out Plugs
Y02	Open Center, 120 VAC, Hirschmann w/out Plugs
T02	Open Center, 240 VAC, Hirschmann w/out Plugs
K02	Open Center, 12 VDC, Hirschmann w/out Plugs
J02	Open Center, 24 VDC, Hirschmann w/out Plugs
Y07	Float Center, 120 VAC, Hirschmann w/out Plugs
T07	Float Center, 240 VAC, Hirschmann w/out Plugs
K07	Float Center, 12 VDC, Hirschmann w/out Plugs
J07	Float Center, 24 VDC, Hirschmann w/out Plugs
Y08	Tandem Center, 120 VAC, Hirschmann w/out Plugs
T08	Tandem Center, 240 VAC, Hirschmann w/out Plugs
K08	Tandem Center, 12 VDC, Hirschmann w/out Plugs
J08	Tandem Center, 24 VDC, Hirschmann w/out Plugs
Y30	Single Solenoid, 120 VAC, Hirschmann w/out Plug
T30	Single Solenoid, 240 VAC, Hirschmann w/out Plug
K30	Single Solenoid, 12 VDC, Hirschmann w/out Plug
J30	Single Solenoid, 24 VDC, Hirschmann w/out Plug

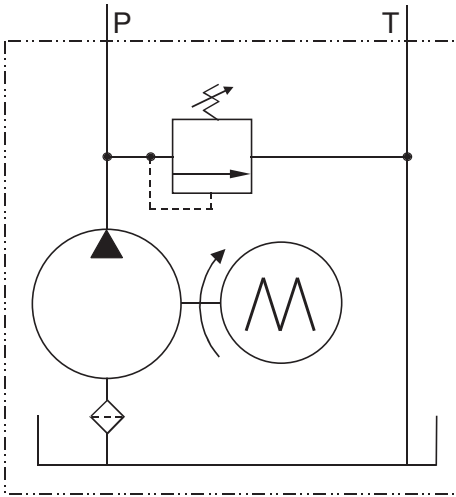
Hydraulic Fluids:

Standard Automatic Transmission Fluid (ATF)
 Most mineral based hydraulic fluids

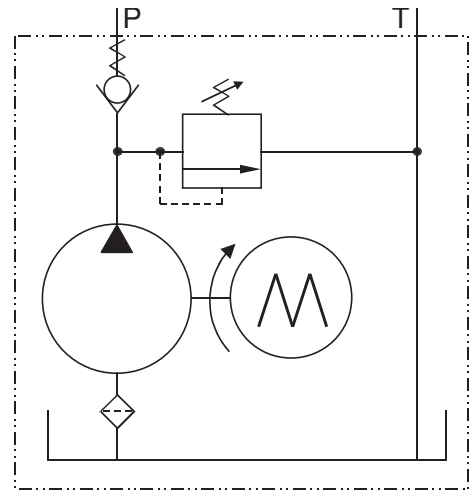
Viscosity range: 32-64 cSt (150-300 SSU) at 38°C (100°F)
 Please contact Parker Oildyne to discuss any alternate fluids.

Temperature Ranges:

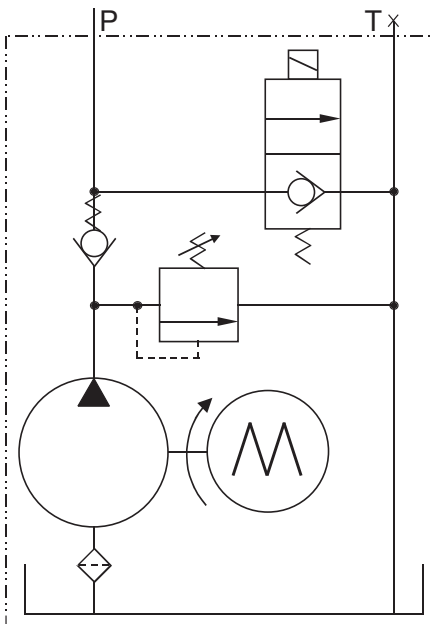
Operating: -7 to 60°C (+20 to 140°F)
 Storage: -10 to 60°C (+14 to 140°F)



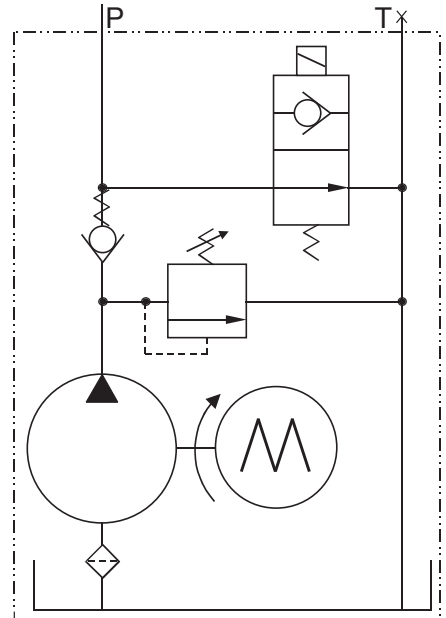
"SA" CIRCUIT



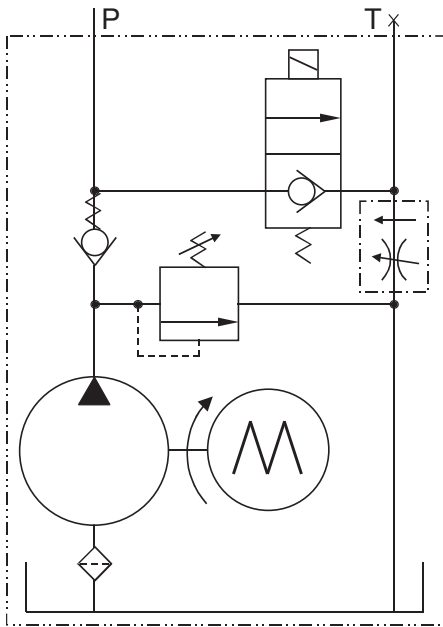
"SW" CIRCUIT



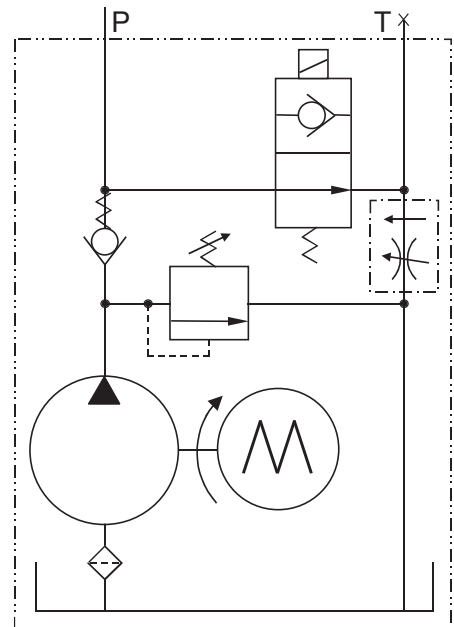
"S1-S4, P1-P4" CIRCUITS



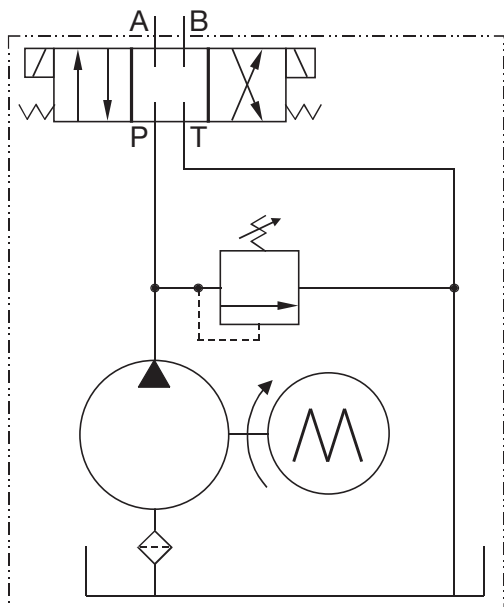
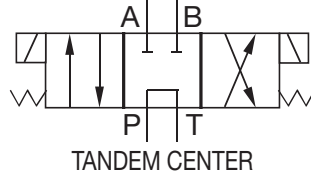
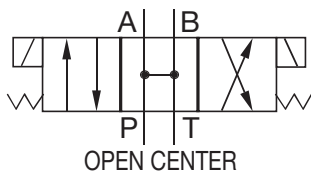
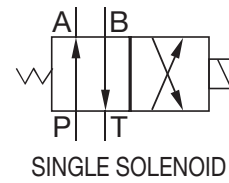
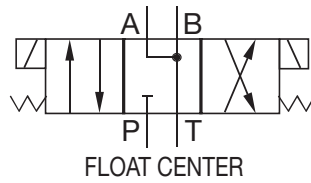
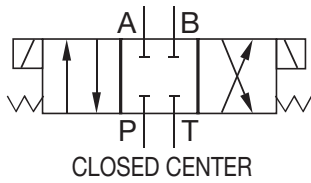
"S5-S8, P5-P8" CIRCUITS



“S1-S4, P1-P4” CIRCUITS WITH
PRESSURE COMPENSATED FLOW
CONTROL F1 OR F2

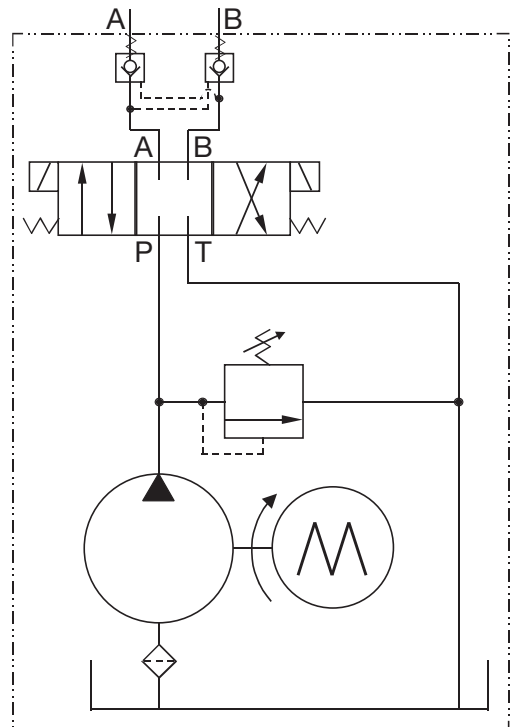


“S5-S8, P5-P8” CIRCUITS WITH
PRESSURE COMPENSATED FLOW
CONTROL F1 OR F2

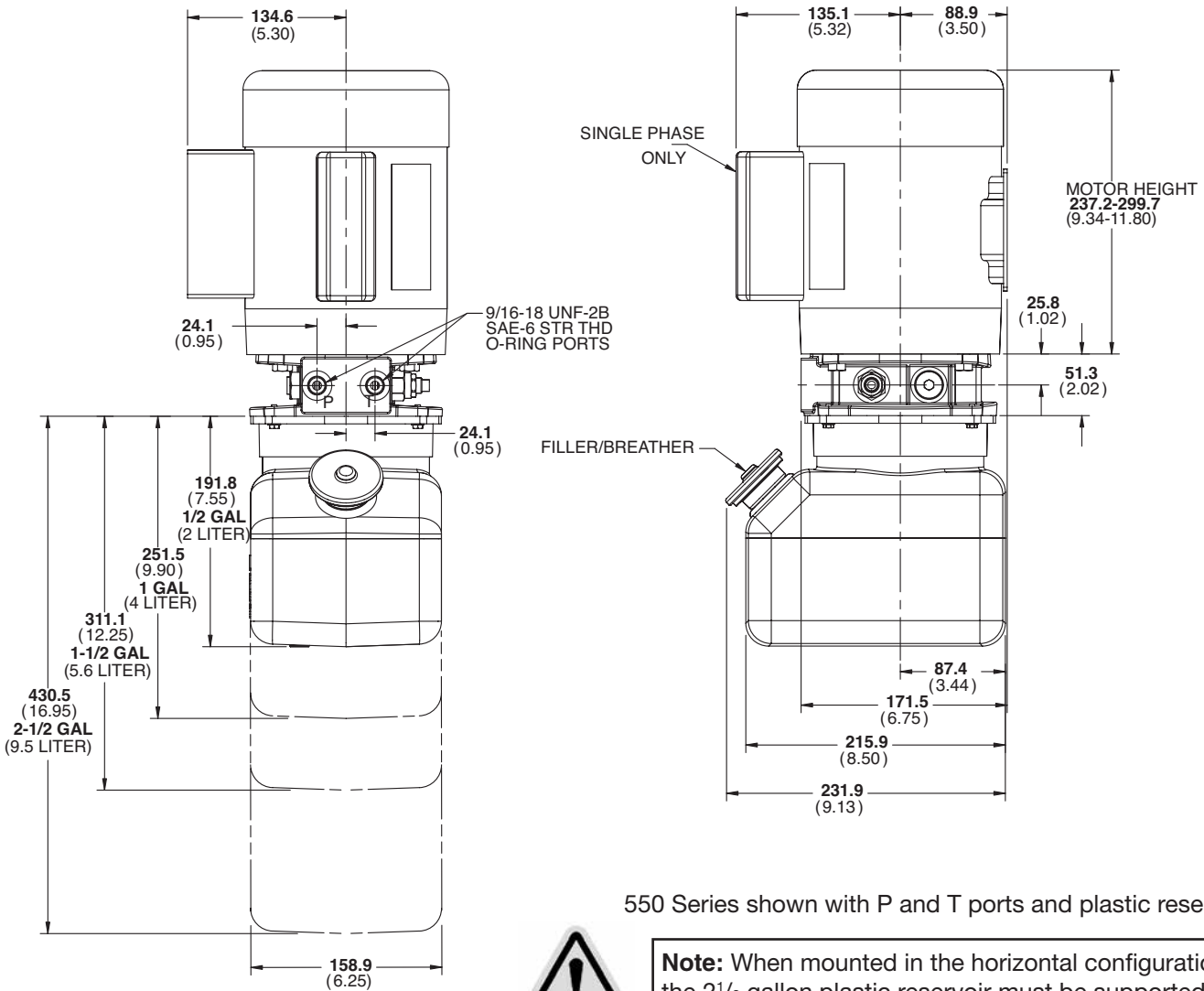


“D0” CIRCUIT (D03/NG6 VALVE TO BE SELECTED)

NOTE: For optimal performance of the D1 circuit, using an Open or Tandem center D03/NG6 valve is recommended.



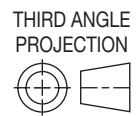
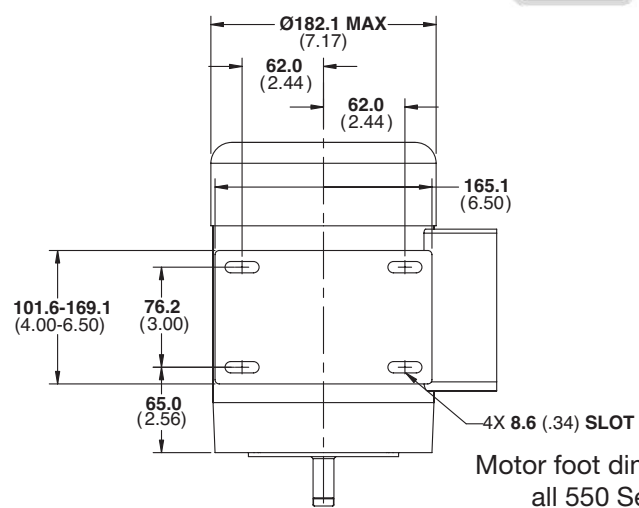
“D1” CIRCUIT INCLUDES MANAPAK DUAL PO CHECK VALVE (D03/NG6 VALVE TO BE SELECTED)



550 Series shown with P and T ports and plastic reservoir

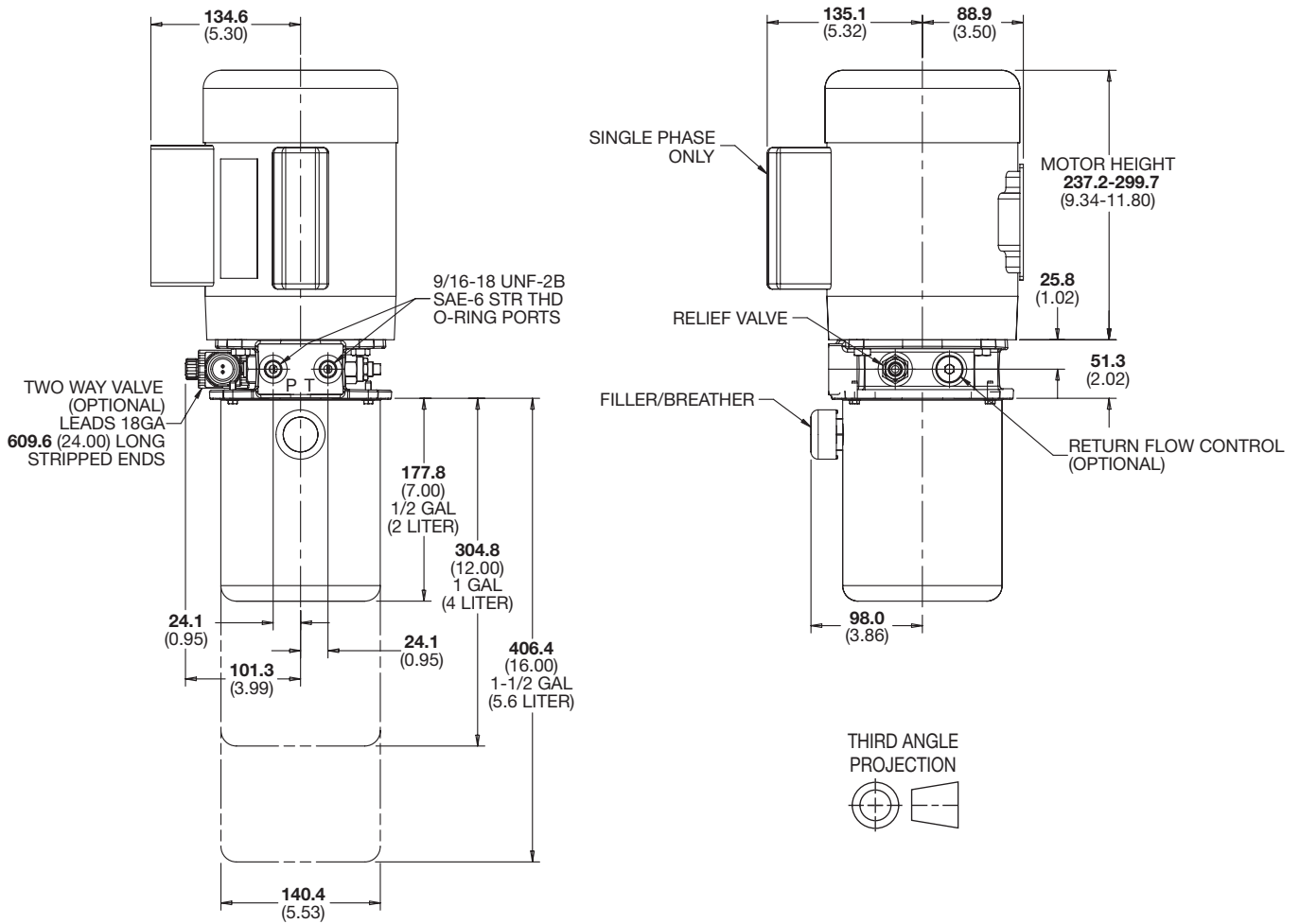


Note: When mounted in the horizontal configuration the 2 1/2 gallon plastic reservoir must be supported.



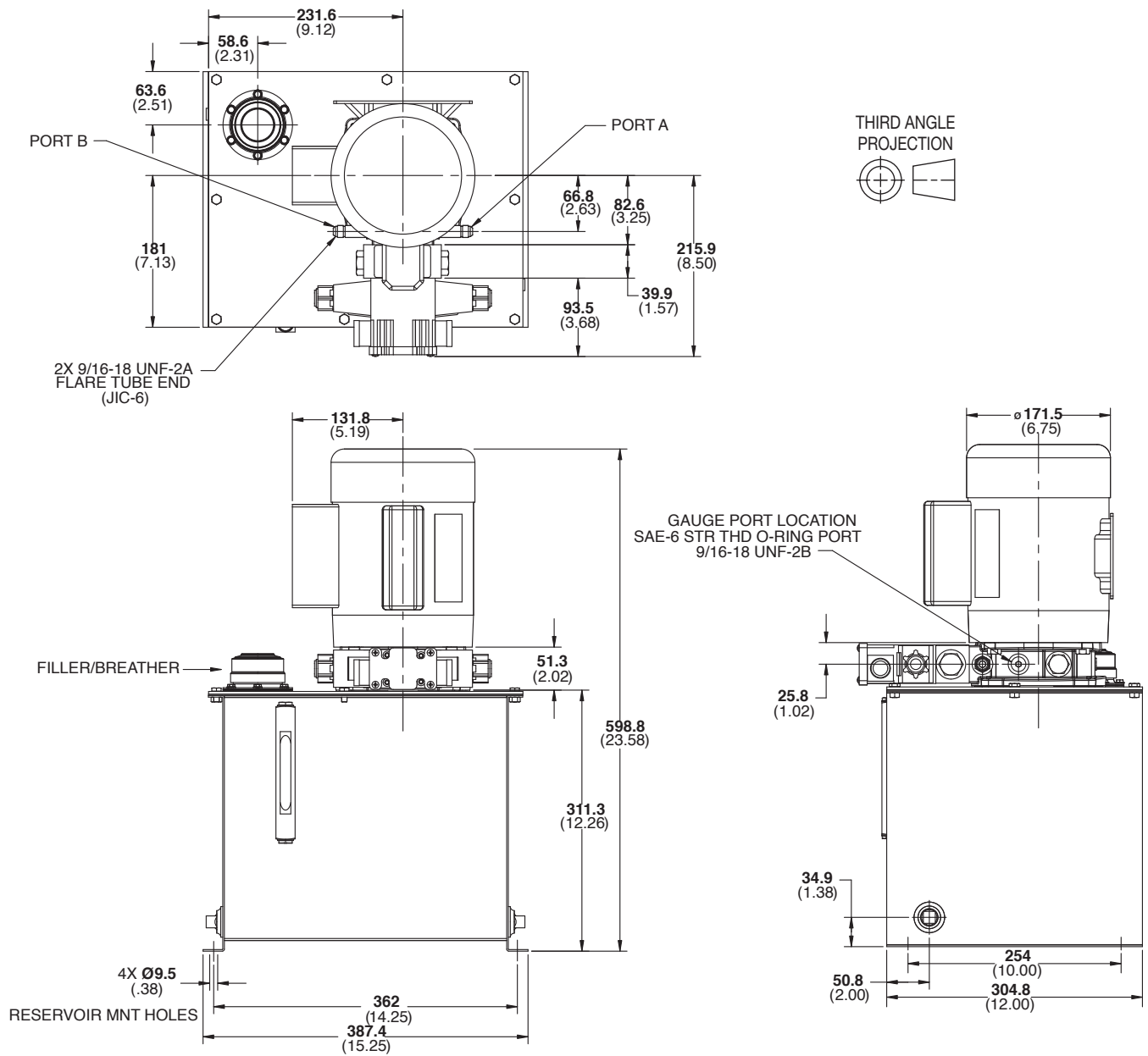
Motor foot dimensions are common to all 550 Series electric motors

Note: All dimensions in mm (inches).



550 Series shown with optional solenoid 2-way valve and steel reservoirs

Note: All dimensions in mm (inches).



550 Series shown with 19 liter (5 gallon) steel reservoir and NG6/D03 valves

Note: All dimensions in mm (inches).

