



750 Series Hand Pumps

Pressures to 172 bar (2500 psi)

Handle Force at 610 mm (24"): 1kg/6.9 bar (2.2 lbs/100 psi)

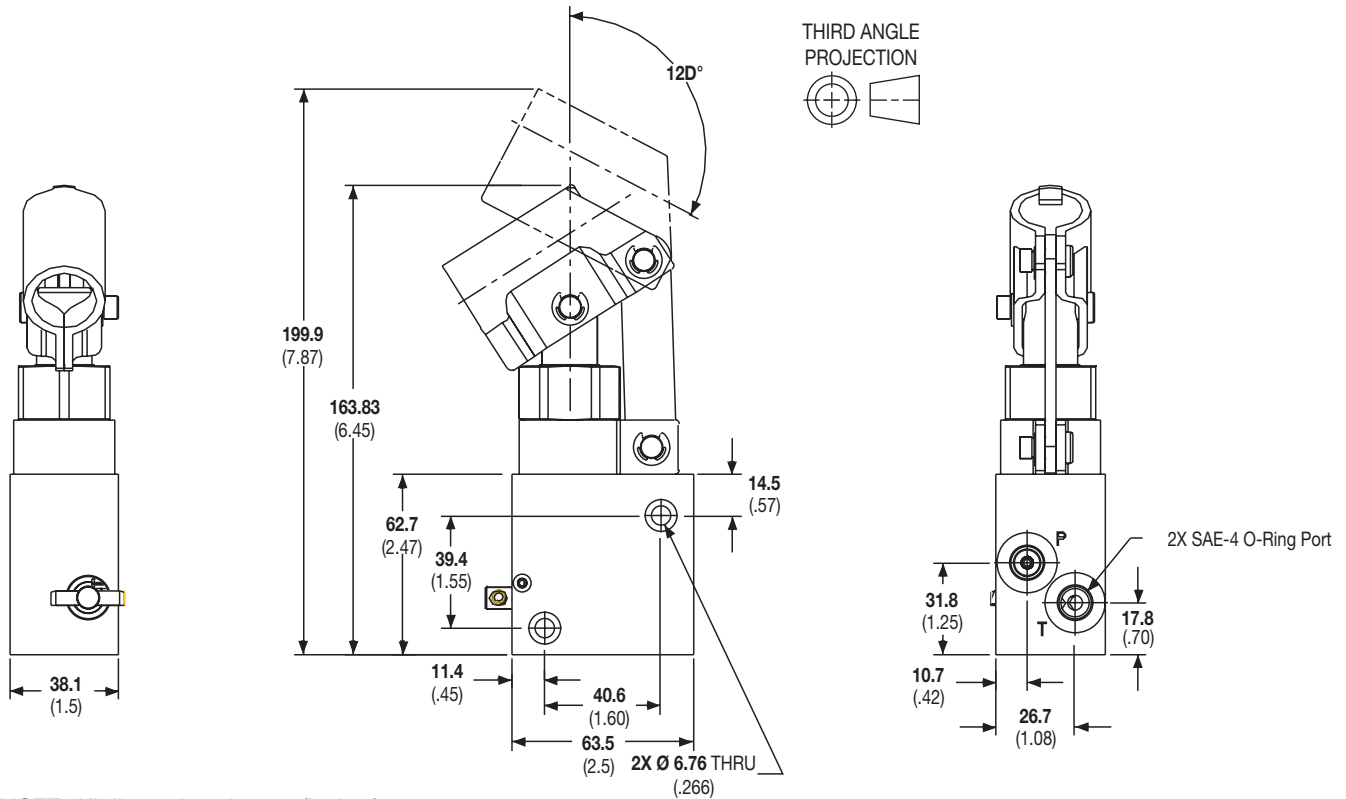
Temperature Range: -34 to 100°C (-30 to 212°F)

aerospace
climate control
electromechanical
filtration
fluid & gas handling
hydraulics
pneumatics
process control
sealing & shielding

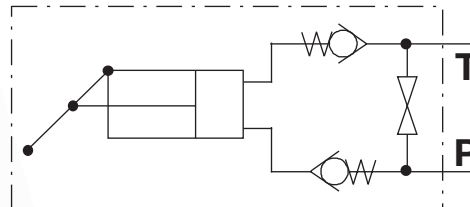


ENGINEERING YOUR SUCCESS.

Hand Pump Dimensions



NOTE: All dimensions in mm (inches)



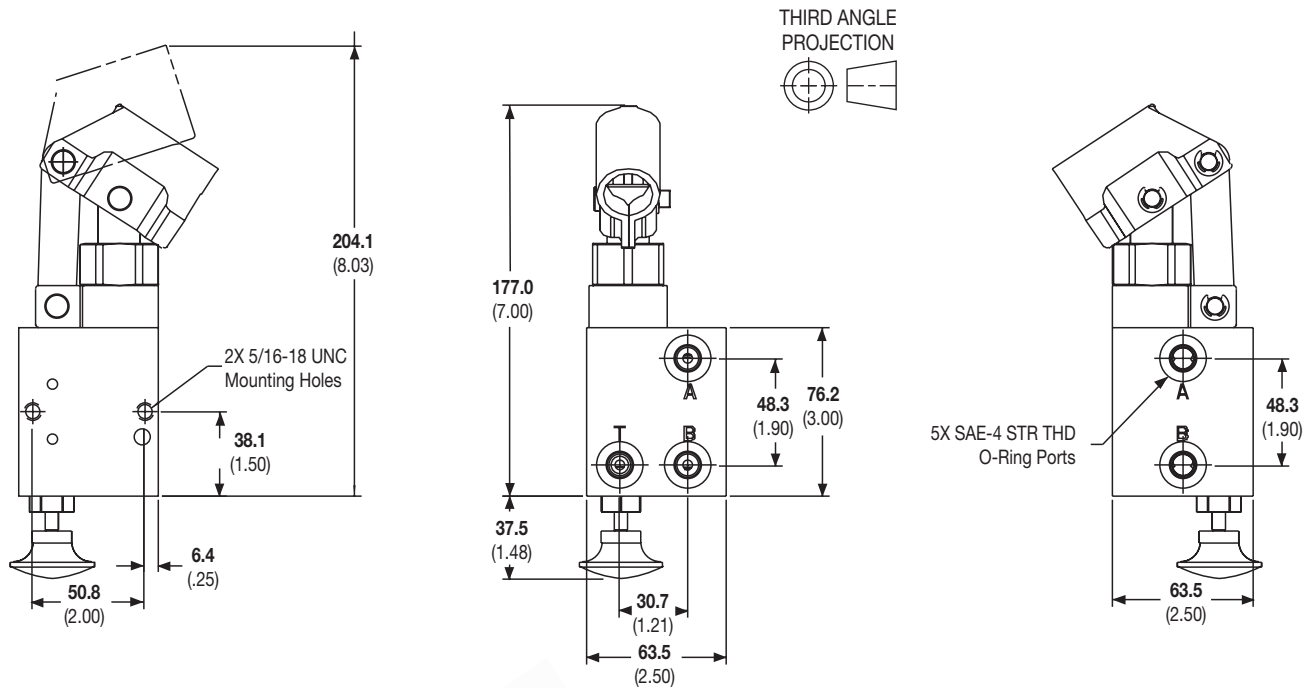
Circuit

Model 750-1 Hand Pump

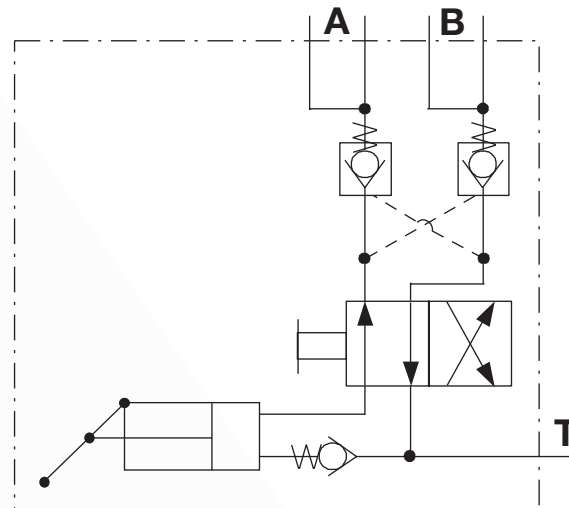
- 8.2 cc/Stroke (.5 in³/Stroke)
- Suitable for use in Single Acting Cylinder circuits
- Metering release valve for controlled return of fluid
- Weight: .91 kg (2 lbs) pump only

Note: Specifications subject to change without notice.

Hand Pump Dimensions



NOTE: All dimensions in **mm** (inches)



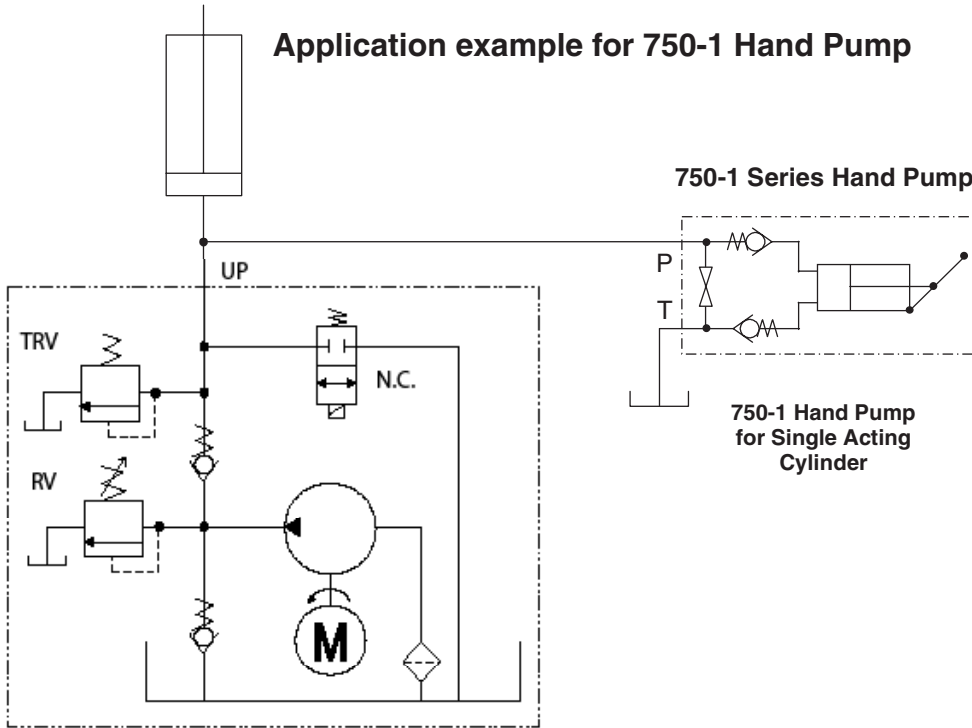
Circuit

Model 750-2 Hand Pump

- 8.2 cc/Stroke (.5 in³/Stroke)
- Suitable for use in Double Acting Cylinder circuits
- Integral double pilot operated check valves (with soft face seal poppets) hold the load and isolate the hand pump when not in use
- Weight: 1.4 kg (3 lbs) pump only

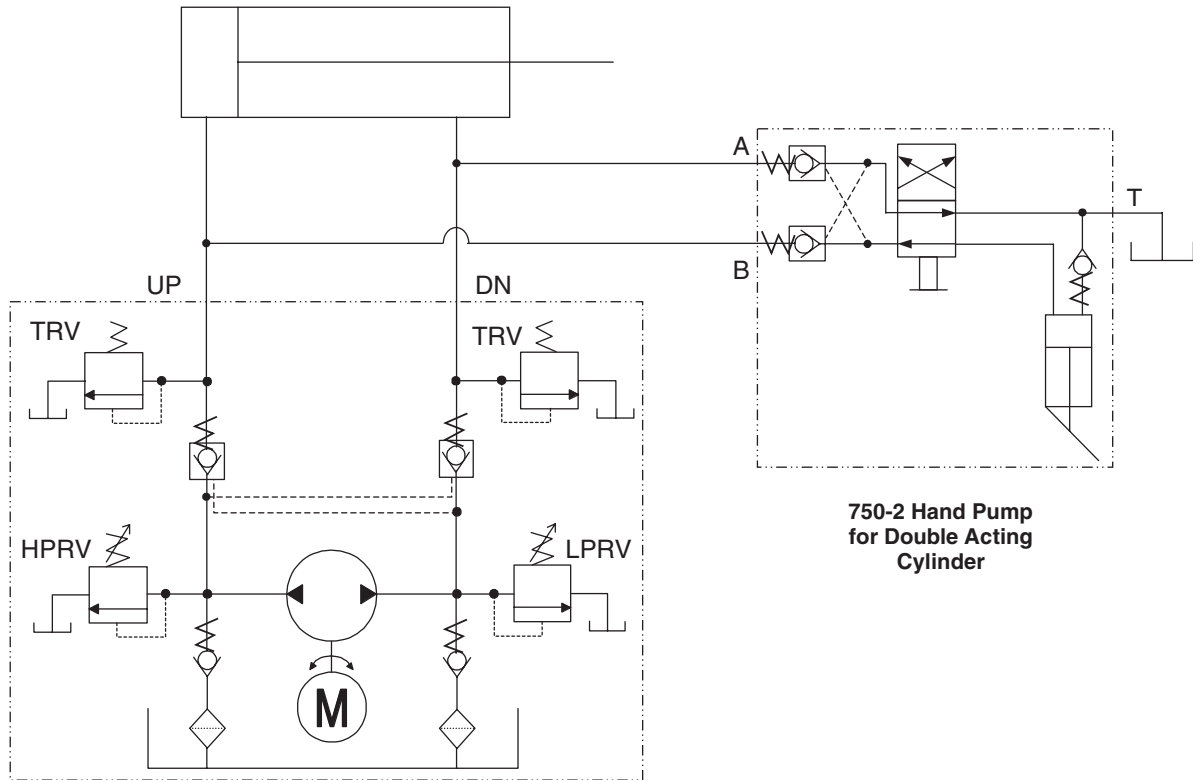
Note: Specifications subject to change without notice.

Application example for 750-1 Hand Pump



118/175 Series Single Direction with 2-way valve

Application example for 750-2 Hand Pump



750-2 Hand pump used with a reversible locking power unit