

ASIC 'Performer'

Pressure Transducers and Transmitters
25, 60, 100, 250, 400 and 600 bar



One product range, designed for many industry applications

All Stainless Steel Construction

A quality range of transducers and transmitters with pressure ratings - 25, 60, 100, 250, 400 and 600 bar. One-piece body and diaphragm machining ensures long-term stability and an all Stainless Steel construction ensures reliability. A cost-effective solution in many industrial applications.



Contact Information:

Parker Hannifin
Hydraulic Filter Division Europe

European Product Information Centre
Freephone: 00800 27 27 5374
(from AT, BE, CH, CZ, DE, EE, ES, FI, FR, IE, IT, PT, SE, SK, UK)
filtrationinfo@parker.com

www.parker.com/hfde

Product Features:

- A quality range of transducers and transmitters with pressure ratings - 25, 60, 100, 250, 400 and 600 bar.
- One-piece body and diaphragm machining ensures long-term stability.
- All Stainless Steel construction.
- Cost-effective solution in many industry applications.
- 0-5 Volt, 1-6 Volt Transducers.
- 4-20mA Transmitters.
- 1/4 " BSP thread.
- M12 or MicroDIN plug options.

ASIC 'Performer'

Pressure Transducers and Transmitters

Applications for the ASIC Performer

- Fork lift trucks - braking and load systems.
- Truck mounted cranes - load safety systems.
- Earth moving machinery - hydraulic gearbox control.
- Racing car - gearbox, fuel, cooling and suspension systems.
- Water usage systems - pressurised systems for industrial and hi-rise usage.
- Forest Machinery - felling and logging.
- Paper mills - speed control and weighing systems.



The Parker Filtration ASIC Performer Pressure Transducers and Transmitters.

The ASIC Performer offers a wide range of pressure sensors for mobile or industrial applications.

These sensors have been designed for the requirements of industrial instrumentation systems. Accordingly, the housings and all components in contact with the medium are made of stainless steel. Thus giving compatibility with a wide range of media. There is a choice of two plug connectors of either DIN or M12. There are

six measuring ranges available and a choice of outputs in the form of either voltage or current signals. Sensors with output signals from 4...20 mA are available in two wire technology.



The built-in voltage regulator allows the sensors to be operated with a supply voltage of 12-36/9-36 Vdc. All sensors are manufactured in our own production facility, typical of Parker Hannifin's continued commitment to flexibility and quality.



The Complete Performer range utilises ASIC technology (Application Specific Integrated Circuit) programmable software.



A comprehensive range of Pressure Transducers and Transmitters are available from Parker Filtration.

- One-piece body and diaphragm machining ensures long-term product stability.
- All stainless steel construction.
- 6 transducer pressure ratings with 0-5Vdc and 1-6Vdc outputs.
- 6 transmitter pressure ratings with a 2-wire 4-20mA output.
- Microdin plug and M12 connector options.



AC/DC display unit (DDU10012 or DDU1002)

Specification

Pressure ranges:
25, 60, 100, 250, 400, 600 bar.

Pressure Tolerance Specifications:

Rating	Maximum Overload Pressure	Maximum Burst Pressure
25	x 2 (50 bar)	x 3 (75 Bar)
60	x 2 (120 Bar)	x 3 (180 Bar)
100	x 2 (200 bar)	x 3 (300 Bar)
250	x 2 (500 Bar)	x 3 (750 Bar)
400	x 2 (800 Bar)	x 3 (1200 Bar)
600	x 2 (1200 Bar)	x 2.5 (1500 Bar)

Vibration resistance:
IEC 60068-2-6:
+/- 5mm/10Hz...32Hz
200m/s² / 32Hz...2kHz

Installation:
Spanner size 22A/F.
Max. (recommended) tightening torque = 30Nm.

Weight:
200 - 230g

Lifespan:
10 million cycles

Thread Forms

G¹/₄ (1/4BSP) with ED seal.
All thread forms and sensor interface are made from 1.4301 stainless steel.
Non standard threads - contact Parker CMC

Electrical

Supply voltage	Output
12 - 36Vdc	0 - 5Vdc
12 - 36Vdc	1 - 6Vdc
9 - 36Vdc	4 - 20mA

Transducer current draw = <6mA
Load impedance (ohm) = >10K
Output signal noise = 0.1%FS

Product Performance

Linearity:
Typical: 0.3%FS.
Max: 0.6%FS.

Hysteresis:
Typical: 0.1%FS.
Max: 0.25%FS.

Repeatability:
Typical: 0.2%FS.
Max: 0.4%FS.

Functional temp range:
-40°C to +85°C.

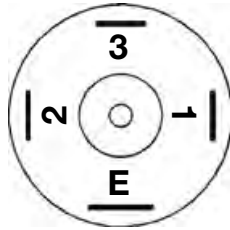
Compensated temperature:
-20°C to +85°C.

Stability:
<0.1%FS/a (typ).

Response time:
= <1mS.

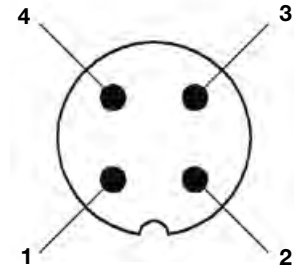
Wiring Information

Connector
Industrial Micro Din
9.4mm



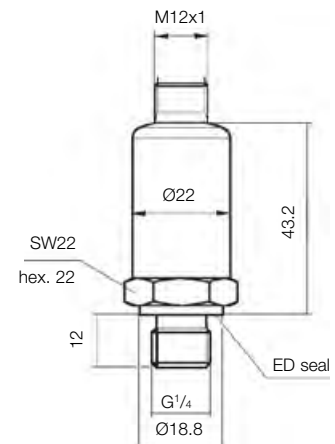
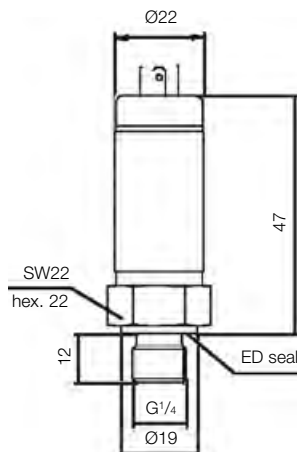
PIN	4 - 20mA	0 - 5Vdc	1 - 6Vdc
1	Do not connect	Signal output	Signal output
2	Supply +ve	Supply +ve	Supply +ve
3	Do not connect	Do not connect	Do not connect
E	Return	Supply ref. (0v)	Supply ref. (0v)

Connector
M12



PIN	4 - 20mA	0 - 5Vdc	1 - 6Vdc
1	Supply +ve	Supply +ve	Supply +ve
2	Do not connect	Signal output	Signal output
3	Return	Supply ref. (0v)	Supply ref. (0v)
4	Do not connect	Do not connect	Do not connect

Installation Details



ASIC 'Performer'

Pressure Transducers and Transmitters

Ordering Information

Standard products table

Product number	Description - pressure transducer	Model	Output	Pressure	Thread form	Connector
PTDVB2501B1C1	0 - 5 Vdc 250 bar 1/4" BSP ED seal micro-din	PTD	VB	250	1	B1C1
PTDVB4001B1C1	0 - 5 Vdc 400 bar 1/4" BSP ED seal micro-din	PTD	VB	400	1	B1C1
PTDVB2501B1C2	0 - 5 Vdc 250 bar 1/4" BSP ED seal M12	PTD	VB	250	1	B1C2
PTDVB4001B1C2	0 - 5 Vdc 400 bar 1/4" BSP ED seal M12	PTD	VB	400	1	B1C2
PTDVB0251B1C1	0 - 5 Vdc 25 bar 1/4" BSP ED seal micro-din	PTD	VB	025	1	B1C1
PTDVB0251B1C2	0 - 5 Vdc 25 bar 1/4" BSP ED seal M12	PTD	VB	025	1	B1C2

Product number	Description - pressure transmitter	Model	Output	Pressure	Thread form	Connector
PTXB4001B1C2	4 - 20 mA 400 bar 1/4" BSP ED seal M12	PTX	B	400	1	B1C2
PTXB0251B1C1	4 - 20 mA 25 bar 1/4" BSP ED seal micro-din	PTX	B	025	1	B1C1
PTXB0251B1C2	4 - 20 mA 25 bar 1/4" BSP ED seal M12	PTX	B	025	1	B1C2
PTXB4001B1C1	4 - 20 mA 400 bar 1/4" BSP ED seal micro-din	PTX	B	400	1	B1C1
PTXB2501B1C1	4 - 20 mA 250 bar 1/4" BSP ED seal micro-din	PTX	B	250	1	B1C1
PTXB2501B1C2	4 - 20 mA 250 bar 1/4" BSP ED seal M12	PTX	B	250	1	B1C2

Accessories

Product number	Supersedes	Description
P833PVC2M	P.833PVC-2M	2 meter PVC coated 4 core cable
P833PVC5M	P.833PVC-5M	5 meter PVC coated 4 core cable
P833PVC10M	P.833PVC-10M	10 meter PVC coated 4 core cable

Note 1: Part numbers featured with bold highlighted codes will ensure a 'standard' product selection.
 Note 2: Alternate displayed part number selection will require you to contact Parker Filtration for availability.

Product configurator

Product number	Output options		Pressure range (bar)		Thread form		Connector	
	PTD	VB	0 - 5 Vdc	025	0 - 25	1	1/4" BSP with ED seal	B1C1
PTX	SB	1 - 6 Vdc	060	0 - 60	B1C2			M12
	B	4 - 20mA (PTX only)	100	0 - 100				
			250	0 - 250				
			400	0 - 400				
			600	0 - 600				

Note 1: Part numbers featured with bold highlighted codes will ensure a 'standard' product selection.
 Note 2: Alternate displayed part number selection will require you to contact Parker Filtration for availability.

Examples of standard part number product ordering

PTDVB2501B1C1 0 – 5 volt output transducer
 250 bar maximum pressure
 1/4" BSP with ED seal
 Industrial micro-din 9.4mm connector

PTXB0251B1C2 4 – 20mA output transmitter
 25 bar maximum pressure
 1/4" BSP with ED seal
 M12 connector
 (See accessories for IP68 protected cable)

PTDSB4001B1C2 1 – 6 volt output transducer
 400 bar maximum pressure
 1/4" BSP with ED seal
 M12 connector
 (See accessories for IP68 protected cable)



Flowmeters & Monitors

A range of cost saving solutions



**Protect systems,
reduce fluid and air
loss and increase
efficiency**

**Effective and accurate flow
measurement**

An extensive range of flow metering products. LoFlow oil and water flowmeters. 10 bar max. working pressure. Easiflow meters and flowswitches with flows from 1 to 150 l/min. Dataflow 4-20mA and pulse output flow transmitters and the Dataflow Compact inline flow transmitter. Flowline oil, water and air calibrated flowmeters and flowswitches available in brass or Stainless Steel. Hydraulic Test Units for the speedy diagnosis of hydraulic circuit faults with flow ranges from 2 to 360 l/min.



Contact Information:

Parker Hannifin
Hydraulic Filter Division Europe

**European Product
Information Centre**
Freephone: 00800 27 27 5374
(from AT, BE, CH, CZ, DE, EE, ES,
FI, FR, IE, IT, PT, SE, SK, UK)
filtrationinfo@parker.com

www.parker.com/hfde

Product Features:

- LoFlow oil and water flowmeters. 10 bar max. working pressure.
- Easiflow meters and Flowswitches. Work in any plane. Flows from 1 to 150 l/min.
- Dataflow 4-20mA and pulse output flow transmitters and Dataflow Compact inline flow transmitter.
- Flowline oil, water and air calibrated flowmeters and flowswitches available in brass or Stainless Steel.
- Hydraulic Test Units for the speedy diagnosis of hydraulic circuit faults with flow ranges from 2 to 360 l/min.