



Auxiliary Valve

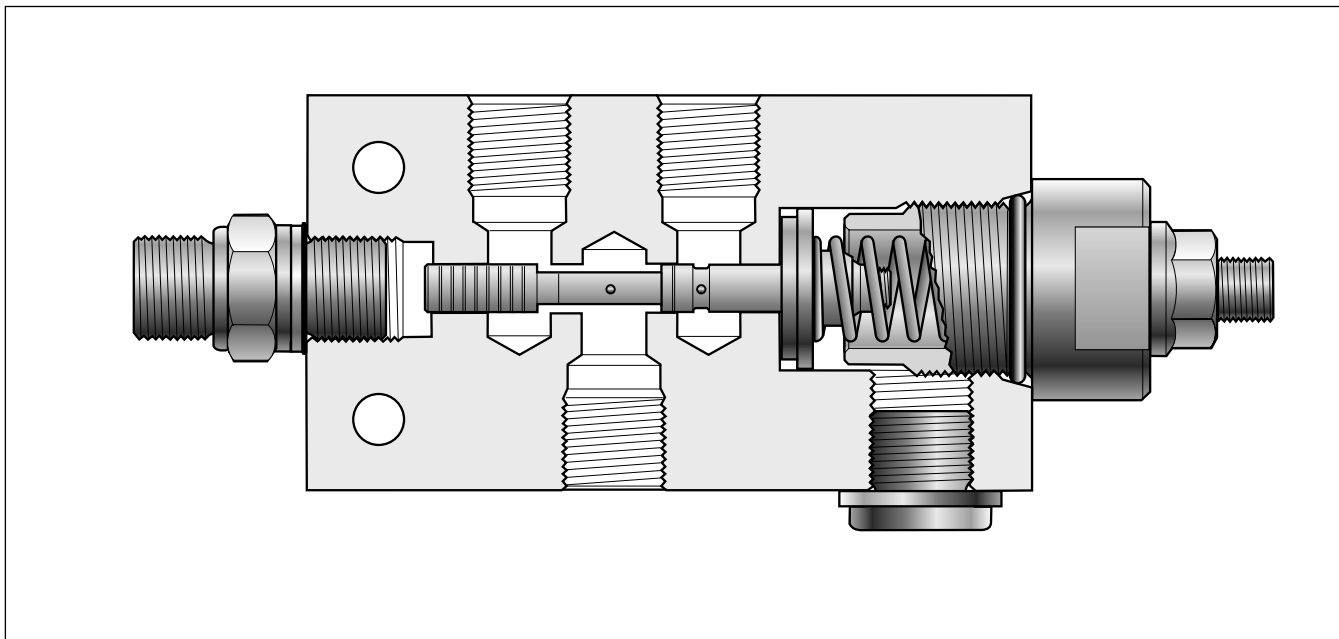
QDS6

Sequence Valve, 3-way

Catalogue HY17-8542/UK
September 2005



Subject to alteration without prior notice. The curves and diagrams in this catalogue are typical examples only. While the contents of the catalogue are updated continuously, the validity of the information given should always be confirmed. For more detailed information, please contact Parker.



Applications

The QDS6 sequence valve is designed to open or close a hydraulic pilot signal (that comes from an external source) when it reaches a predetermined pressure level. Common applications of the valve are in pilot logic circuits and sequence-control sub-circuits. One example of use is as a means of load-moment limitation (overload protection) in the lifting functions of mobile cranes, in conjunction with hydraulic remote control. In such cases, the QDS6 is used to break the pilot signal between the control valve and the directional valve when the signal pressure reaches a predetermined value set on the QDS6.

Construction and function

The QDS6 is a three-way, pilot-operated valve. Its directional function is normally open or normally closed.

The valve housing is manufactured from continuously-cast grey iron and contains a precision-ground spool and pilot section.

When the pilot signal exceeds the preset switching pressure, the spool changes position, thus blocking P and connecting S with T. Alternatively, T is blocked and S connected with P (see figure on page 4). The spool is positively overlapped, i.e. it closes the one connection before opening the other. The pilot section can be drained either internally or externally. Pilot sections with external drainage can be fed with an external pressure in the drainage connection to obtain a higher switching pressure than the one preset.

Advantages

- Compact - easy to install.
- Several pressure ranges available - enables high setting precision.
- Easy to adjust pressure within specified pressure range - facilitates fine tuning.
- Can be factory-set and sealed - prevents unauthorized pressure changing.
- Withstands high pressure shocks in the tank connection - gives long service life in systems with high intermittent tank pressure.
- Simple design - gives great reliability.

Optional equipment

Numerous other options are available for the QDS6. For further information, please contact your Parker representative.

- Hand wheel for easy changing of pressure setting.
- Flanged version of QDS6 for flanging directly to, e.g. a valve block.

Technical Data

Auxiliary Valves

QDS6

Possible pressure setting ranges

(applicable range will depend on pressure setting you specify)

Switching pressure

- 4-10 bar
- 11-20 bar
- 21-30 bar
- 31-45 bar
- 46-150 bar
- 150-250 bar

Working pressure

Max. 250 bar

Tank pressure

Max. 250 bar in pressure shocks.

Recommended flow rate

Max. 20 l/min

Connections

All connections are available in two versions:

- G1/4 (BSP pipe thread) for flat seal (type Tredo) according to ISO 228/1.
- 9/16-18 UNF-2B for O-ring seal according to SAE J1926/1.

Leakage

At pressure differential of 100 bar and viscosity of 30 mm²/s:

- P to S max. 12 cm³/min
- S to T max. 12 cm³/min
- P to X max. 5 cm³/min

Weight

Approx. 1.0 kg

Hydraulic fluids

Best performance is obtained using mineral-base oil of high quality and cleanness in the hydraulic system. HLP hydraulic fluids (DIN 51524), automatic-gearbox oil type A and API CD engine oils can be used. If in doubt, please contact Parker for further information.

For best function, oil viscosity should be between 15 and 45 mm²/s (cSt).

Filtration

Filtration should be arranged so that Target Contamination Class 18/16/13 according to ISO 4406 is not exceeded.

Temperature

Temperature range, fluid:

-20 °C to +70 °C

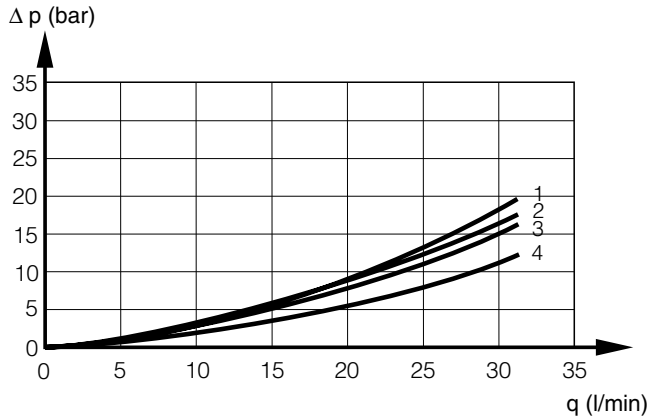
Temperature range, ambient:

-40 °C to +70 °C

Temperature-shock resistance: max. 100 °C/second

General

Technical data in this catalogue is applicable using mineral base oil according to DIN 51524 at a viscosity of 30 mm²/s and temperature of 50 °C.



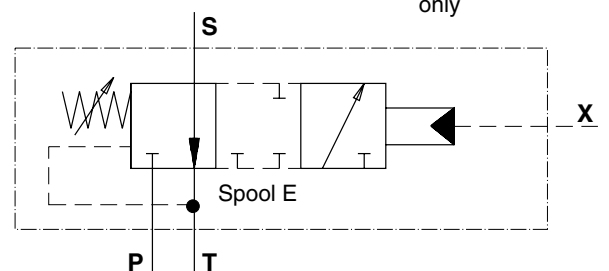
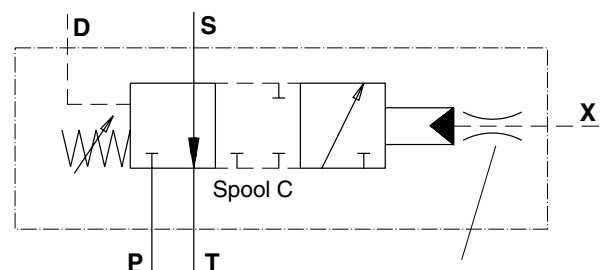
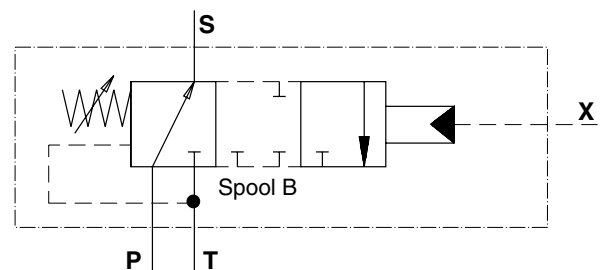
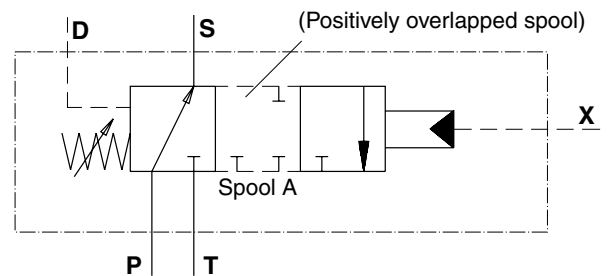
Pressure drop for QDS6

1 = Pressure drop P-S for spool A and B

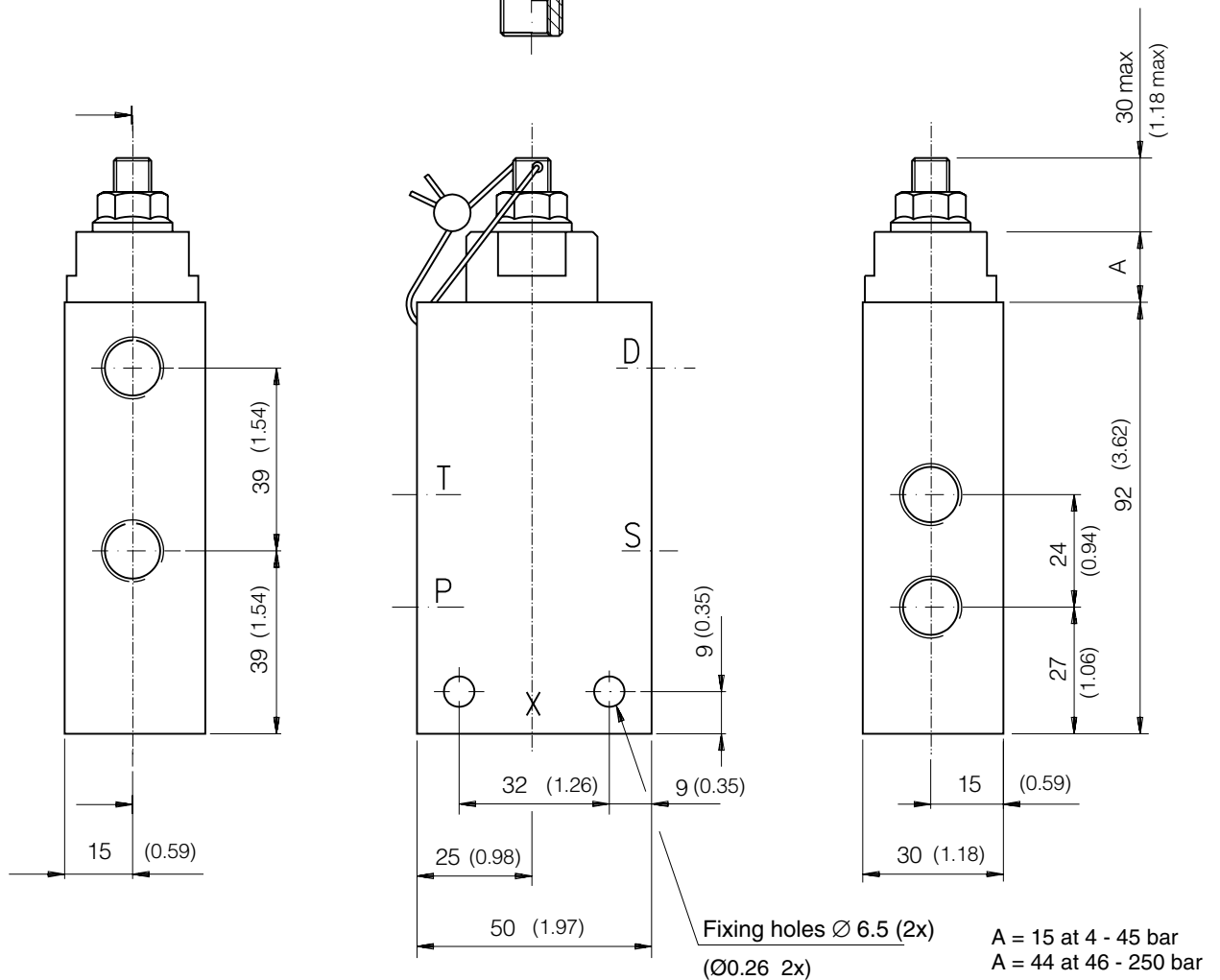
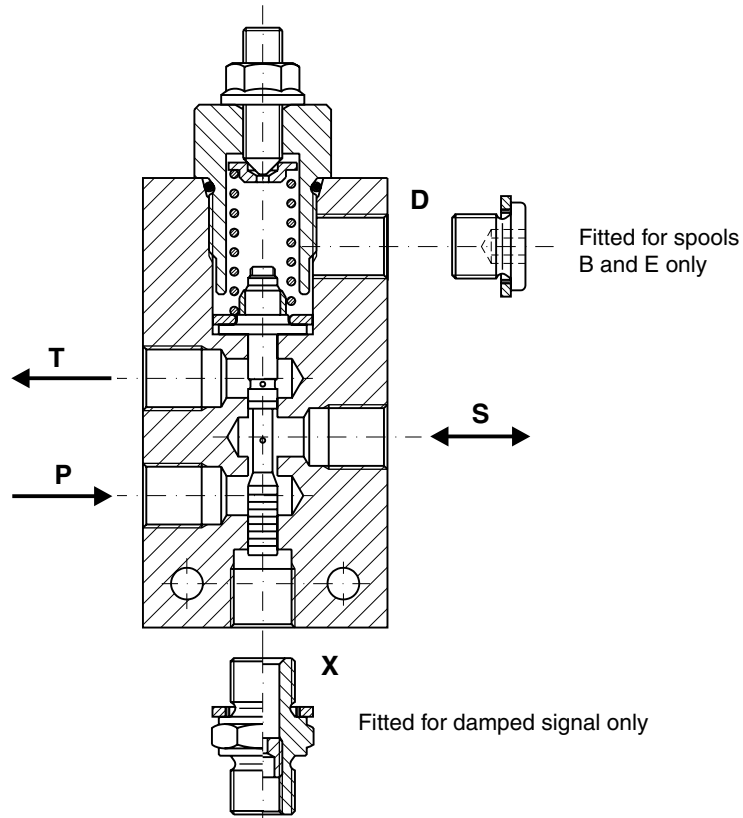
2 = Pressure drop S-T for spool C and E

3 = Pressure drop P-S for spool C and E

4 = Pressure drop S-T for spool A and B



Functional symbols for QDS6

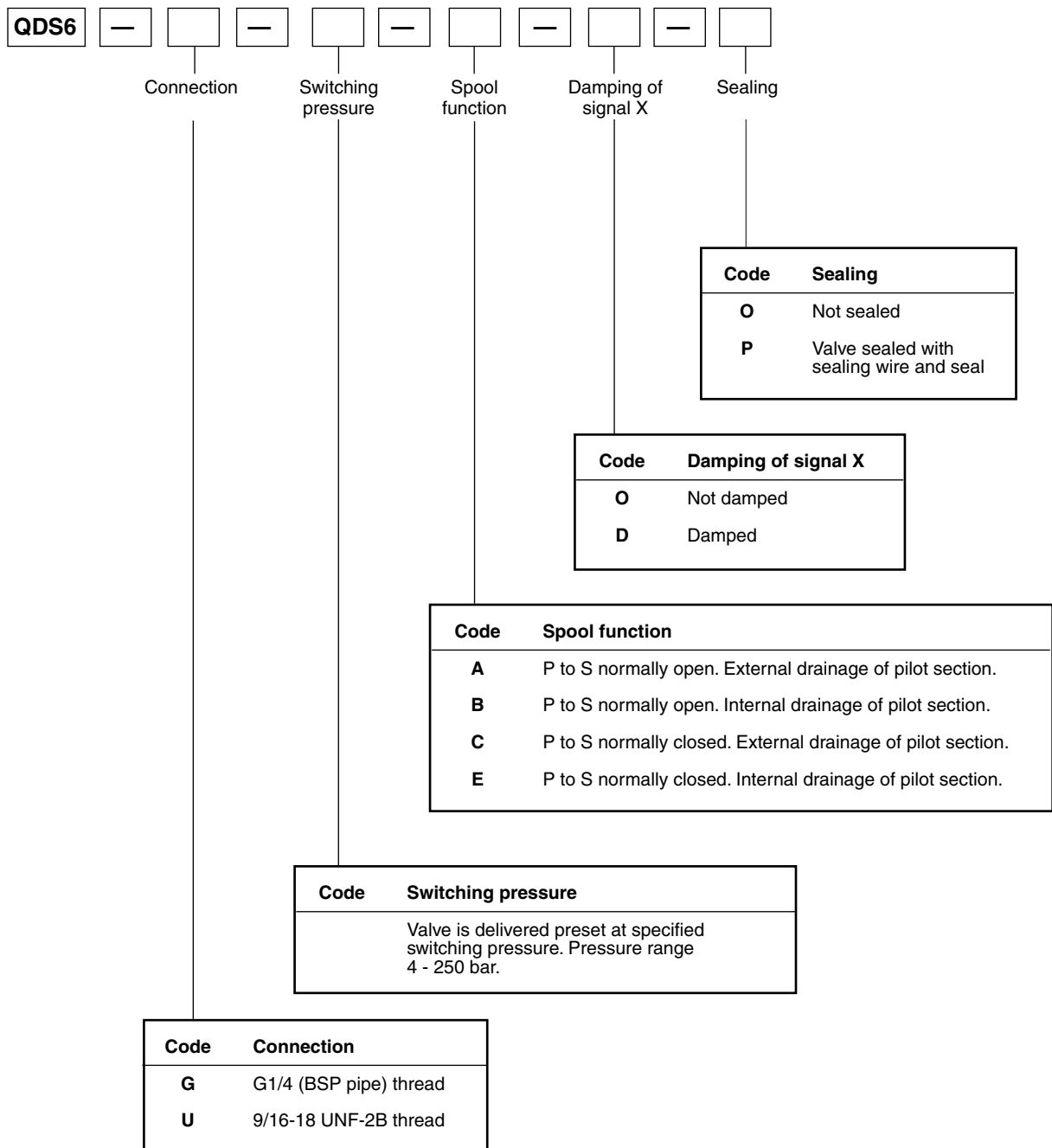


Ordering

When ordering your QDS6 sequence valve, please make use of the ordering-code system as per the example given in the chart below. For certain standard valve settings, however, there are direct ordering numbers, which are given in the table below.

Code	Ordering number
QDS6G-05-B-O-O	8234 8905 75
QDS6G-15-E-O-O	8234-8905 92
QDS6G-25-B-O-O	8234 8905 91
QDS6G-100-B-O-O	8234 8905 83
QDS6G-250-E-O-O	8234 8905 88

Ordering code



**WARNING**

FAILURE OR IMPROPER SELECTION OR IMPROPER USE OF THE PRODUCTS AND/OR SYSTEMS DESCRIBED HEREIN OR RELATED ITEMS CAN CAUSE DEATH, PERSONAL INJURY AND PROPERTY DAMAGE.

This document and other information from Parker Hannifin Corporation, its subsidiaries and authorized distributors provide product and/or system options for further investigation by users having technical expertise. It is important that you analyze all aspects of your application, including consequences of any failure, and review the information concerning the product or system in the current product catalogue. Due to the variety of operating conditions and applications for these products or systems, the user, through its own analysis and testing, is solely responsible for making the final selection of the products and systems and assuring that all performance, safety and warning requirements of the application are met.

The products described herein, including without limitation, product features, specifications, designs, availability and pricing, are subject to change by Parker Hannifin Corporation and its subsidiaries at any time without notice.

Offer of Sale

Please contact your Parker representation for a detailed "Offer of Sale".

Hydraulics Group Sales Offices

Europe

Austria
Wiener Neustadt
Tel: +43 (0)2622 23501
Fax: +43 (0)2622 66212

Belgium
Nivelles
Tel: +32 (0)67 280 900
Fax: +32 (0)67 280 999

Czech Republic
Klecany
Tel: +420 284 083 111
Fax: +420 284 083 112

Denmark
Ballerup
Tel: +45 4356 0400
Fax: +45 4373 8431

Finland
Vantaa
Tel: +358 (0)9 4767 31
Fax: +358 (0)9 4767 3200

France
Contamine-sur-Arve
Tel: +33 (0)450 25 80 25
Fax: +33 (0)450 03 67 37

Germany
Kaarst
Tel: +49 (0)2131 4016 0
Fax: +49 (0)2131 4016 9199

Hungary
Budapest
Tel: +36 (06)1 220 4155
Fax: +36 (06)1 422 1525

Ireland
Dublin
Tel: +353 (0)1 293 9999
Fax: +353 (0)1 293 9900

Italy
Corsico (MI)
Tel: +39 02 45 19 21
Fax: +39 02 4 47 93 40

The Netherlands
Oldenzaal
Tel: +31 (0)541 585000
Fax: +31 (0)541 585459

Norway
Ski
Tel: +47 64 91 10 00
Fax: +47 64 91 10 90

Poland
Warsaw
Tel: +48 (0)22 863 49 42
Fax: +48 (0)22 863 49 44

Portugal
Leca da Palmeira
Tel: +351 22 9997 360
Fax: +351 22 9961 527

Slovakia
Ref. Czech Republic

Spain
Madrid
Tel: +34 91 675 73 00
Fax: +34 91 675 77 11

Sweden
Spånga
Tel: +46 (0)8 597 950 00
Fax: +46 (0)8 597 951 10

Turkey
Mertler/Istanbul
Tel.: +90 212 482 91 06 or 07
Fax: +90 212 482 91 10

United Kingdom
Warwick
Tel: +44 (0)1926 317 878
Fax: +44 (0)1926 317 855

International

Australia
Castle Hill
Tel: +61 (0)2-9634 7777
Fax: +61 (0)2-9899 6184

Canada
Milton, Ontario
Tel: +1 905-693-3000
Fax: +1 905-876-0788

China
Beijing
Tel: +86 10 6561 0520
Fax: +86 10 6561 0526

Asia Pacific Group
Hong Kong, Kowloon
Tel: +852 2428 8008
Fax: +852 2425 6896

India
Mumbai
Tel: +91 22 7907081
Fax: +91 22 7907080

Japan
Tokyo
Tel: +(81) 3 6408 3900
Fax: +(81) 3 5449 7201

Latin America Group
Brazil
Tel: +55 12 3954-5100
Fax: +55 12 3954-5266

South Africa
Kempton Park
Tel: +27 (0)11-961 0700
Fax: +27 (0)11-392 7213

USA
Cleveland (industrial)
Tel: +1 216-896-3000
Fax: +1 216-896-4031
Lincolnshire (mobile)
Tel: +1 847-821-1500
Fax: +1 847-821-7600

Parker Hannifin is the world's premier supplier of motion and control systems and solutions, with sales and manufacturing facilities throughout the world. For product information and details of your nearest Parker sales office, visit us at www.parker.com or call free on 00800 2727 5374.



Catalogue HY17-8542/UK
PDF 09/05

© Copyright 2005
Parker Hannifin Corporation
All rights reserved.