

# GAE Pressure Gauge Adapter

Permanent Pressure Gauge Adapter for use with BAE Series Bladder Accumulators

## Introduction

Correctly maintained gas pressure in a bladder accumulator is the key to long and reliable service life. To simplify continuous monitoring of the gas pressure, Parker offers the GAE Series permanent pressure gauge assembly for use with BAE Series bladder accumulators.

The adapter mounts on the gas valve of the bladder accumulator. It carries the pressure gauge for continuous display of gas pressure, and the gas valve. Both gauge and valve are readily accessible for monitoring and maintenance purposes.

In conjunction with a UCA Charging and Gauging Assembly (see Bulletin HY07-1244-T) the GAE Series pressure gauge adapter allows precharging and monitoring of the precharge pressure in a bladder accumulator to be carried out quickly and easily.

**Warning – use only with Nitrogen**



## Features, Advantages and Benefits

- Constant monitoring allows system to be maintained at optimum performance
- Steel construction ensures long, reliable service life
- Chromated surface guards against corrosion
- Steel gas valve cap protects against external impact and provides a secondary seal
- A range of pressure gauges to suit different applications makes selection easy
- Fits most standard bladder accumulators

## Construction and Specification

Maximum working pressure	330 bar
Temperature range	-15°C to 80°C
Bladder accumulator port	7/8 - 14 UNF
Pressure gauge port	G1/2
Gas valve port (on side)	1/2 - 20 UNF

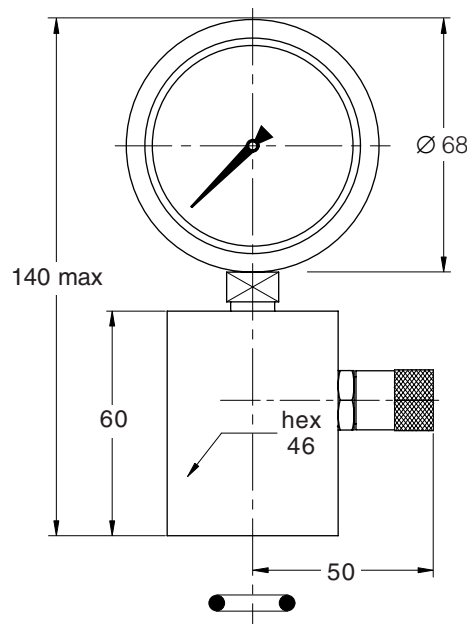


Figure 1 GAE Pressure Gauge Adapter – Dimensions

## GAE Pressure Gauge Adapter Order Codes

Model	Adapter and Pressure Gauge
GAE	without gauge
GAE-040	0-40 bar
GAE-060	0-60 bar
GAE-100	0-100 bar
GAE-160	0-160 bar
GAE-250	0-250 bar

All dimensions are in millimetres unless otherwise stated.

In line with our policy of continuing product improvement, specifications in this document are subject to change without notice.

### Preparation – Safe Practice

Before working on any accumulator or associated equipment, read the operating instructions. These are supplied with all Parker accumulators and charging and gauging kits – if unavailable, please ask for a copy from your nearest Parker sales office.

BAE Series Bladder Accumulator Operating Instructions  
– bulletin HY07-1235-T  
UCA Series Charging and Gauging Kit  
– bulletin HY07-1244-T

The accumulator **must** be isolated from the hydraulic system and the hydraulic fluid discharged completely.

**Do not** attempt to release gas pressure in the accumulator manually. Remove the protective cap from the gas valve and connect a UCA charging and gauging kit to the gas valve according to the instructions supplied with the kit. Discharge the gas side of the accumulator. Remove the UCA assembly from the accumulator, then unscrew and remove the gas valve from the gas port, as shown in Figure 2.

### Assembly

Fit the O-ring, supplied with the GAE pressure gauge adapter, over the open end of the gas port and position on the port shoulder, as shown in Figure 2. Screw the GAE pressure gauge adapter onto the gas port and tighten securely.

The accumulator can now be filled with dry nitrogen, using the UCA charging and gauging kit, to the required precharge pressure.

### Never charge with air or oxygen

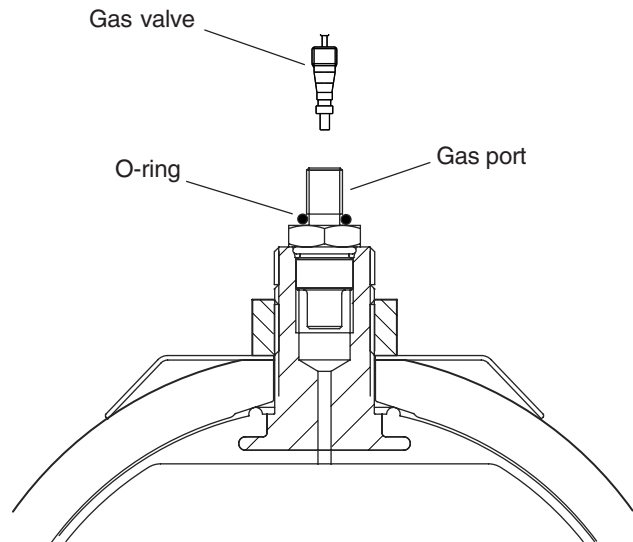


Figure 2 Gas Port – BAE Bladder Accumulator

### Ordering Information

Please contact:  
Parker Hannifin UK Sales  
Tachbrook Park Drive  
Tachbrook Park  
Warwick CV34 6TU  
Tel. 01926 833800 Fax. 01926 833827

### Need a Parker part?

Call Parker's European Product Information Centre on  
00800 27 27 5374

Visit us at [www.parker.com](http://www.parker.com)

### Warning

FAILURE OR IMPROPER SELECTION OR IMPROPER USE OF THE PRODUCTS AND/OR SYSTEMS DESCRIBED HEREIN OR RELATED ITEMS CAN CAUSE DEATH, PERSONAL INJURY AND PROPERTY DAMAGE.

This document and other information from Parker Hannifin Corporation, its subsidiaries and authorized distributors provide product and/or system options for further investigation by users having technical expertise. It is important that all aspects of the application are analysed and the information concerning the product or system in the current product catalogue is reviewed. Due to the variety of operating conditions and applications for these products or systems, the user, through its own analysis and testing, is solely responsible for making the final selection of the products and systems and assuring that all performance, safety and warning requirements of the application are met.

The products described herein, including without limitation, product features, specifications, designs, availability and pricing, are subject to change by Parker Hannifin Corporation and its subsidiaries at any time without notice.

HY07-1238-T1/UK 1M  
CQ 0204