

BY-PASS FILTERS

RMF Systems

*The guarantee
of
problem free
hydraulics*



BPU1A30



BPU2A30

RMF SYSTEMS

RMF Systems radial micro filter units are characterised by their extremely efficient filter elements with a fineness of 0.5 micron.

RMF By-pass filters are specially designed for mobile hydraulic installations and are available in single or double units which are equally suitable for OEM use and retro-fitting. An integrated flow control valve passes oil from the hydraulic system through the filter and back to the reservoir.

ECONOMICAL

The hydraulic market accepts that 80% of mechanical failures are caused by contamination in the system.

The RMF By-pass filters attack this contamination at source and in addition to solid particles, these filters are also capable of removing water from the oil.

This prevents the catalytic reaction of water and solid particle contamination, resulting in extended useable oil life.

The use of RMF filters means less defects, less maintenance and less wear-and-tear of the hydraulic components

APPLICATIONS

RMF By-pass filter units can be fitted to every imaginable mobile application where hydraulic and/or transmission systems are present.

In recent years RMF Systems have developed a great deal of experience in cleaning and keeping clean hydraulic and transmission systems on:

- excavators;
- wheel loaders;
- forestry machines;
- asphalt machines;
- concrete pumps;
- aviation ground support equipment;
- agricultural machines.

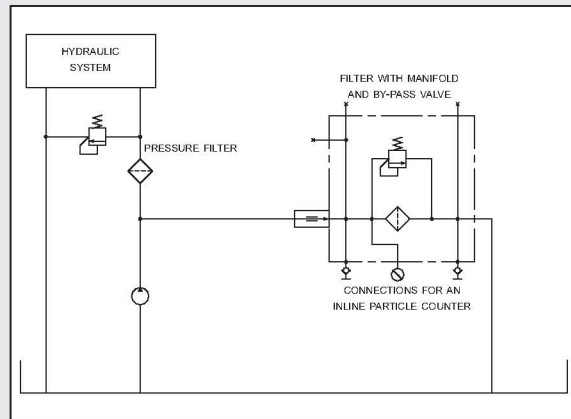
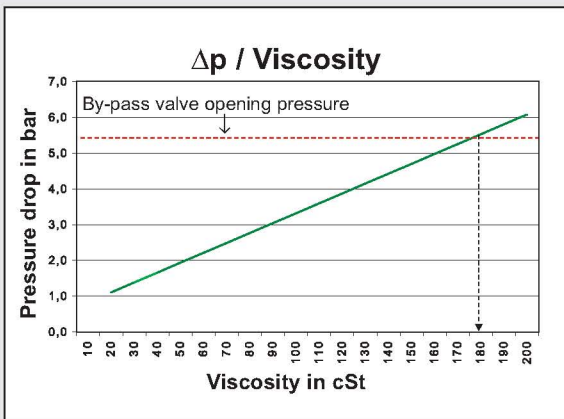
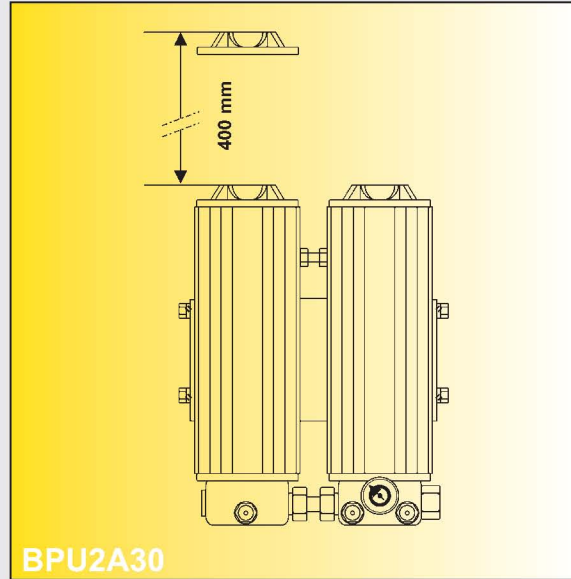
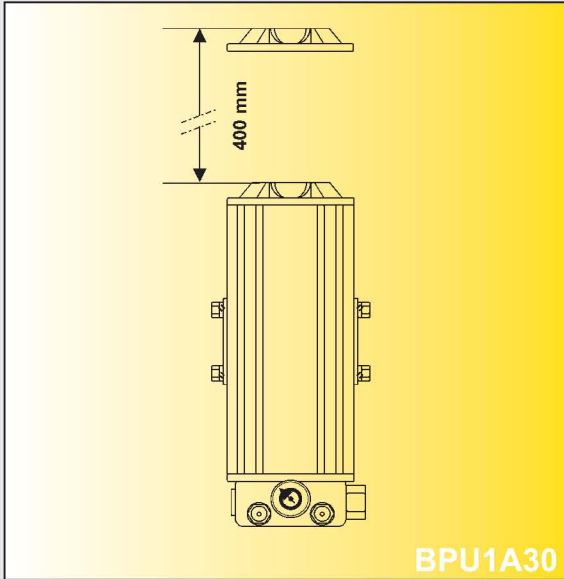
ADVANTAGES

- Extremely clean oil due to the high filtration efficiency $\beta_{0.5} \geq 200$, $\beta_2 \geq 2,330$.
- Prevention of channel forming by radial filtration direction.
- Increased flow capacity.
- Increased oil and water adsorption capacity.
- Compact and easy-maintenance design.
- Environmentally friendly elements.
- Longer usage life for oil and components.



www.rmffilter.com

BY-PASS FILTERS



Technical data		
Type filter	BPU1A30	BPU2A30
No. of filter housings	1	2
Material filter housing	Anodised aluminium	
Seal material	Buna-N standard	
Nominal flow	2.1 l/min	4.2 l/min
By-pass opening pressure at 0 bar back pressure	5.5 bar	
No. of filter elements	1	2
Length filter elements	300 mm (std)	
Max. working pr. FC valve	420 bar	
Min. working pr. FC valve	12 bar	
Max. pressure filter housing	20 bar	
Max. oil temperature	80 °C	
Max. viscosity	180 cSt	
Indicator type	Gauge glycerine filled	
Connection pressure side	1/4" BSP female	
Diameter hose pressure side	3/8"	
Connection return side	1/2" BSP female	
Diameter hose ret. side	3/8"; (1/2" with long hoses)	
Max. tank volume (litre)	± 750	± 1,500
Dimensions hxxwx d in mm	400 x 135 x 165	400 x 285 x 170
Connection oil-analysis:		
P1 filter inlet side	Test connector (M16x2) Red	
P2 filter outlet side	Test connector (M16x2) Yellow	

Your RMF Systems distributor

SE HYDRAULICS
FLUID POWER ENGINEERS

www.seh-ltd.co.uk